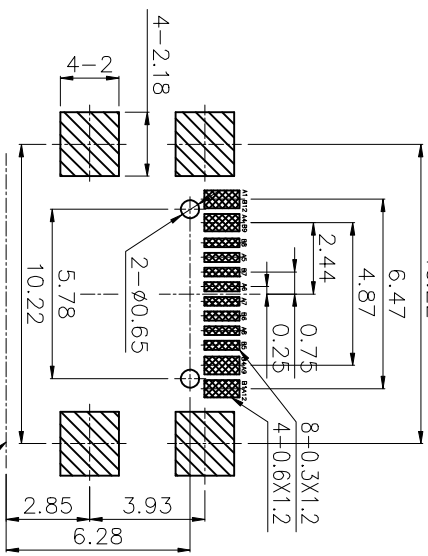
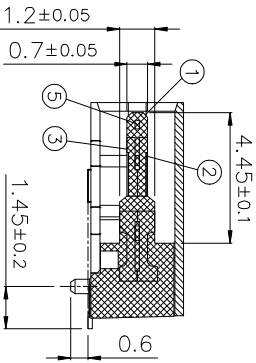
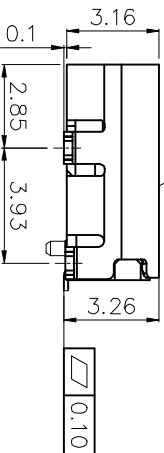
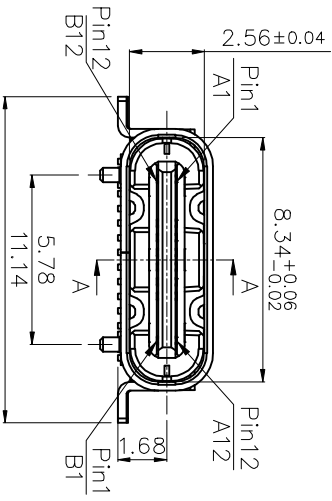
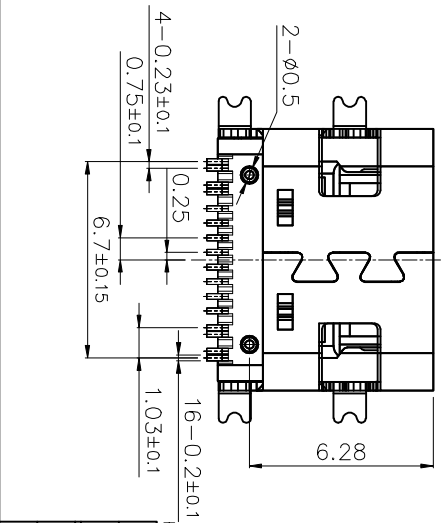


3D VIEW



PCB HOLES (BOTTOM VIEW)  
NOTE: GENERAL TOLERANCE: ±0.05mm



PIN ASSIGNMENTS:

PIN No.	A1	A2	A3	A4	A5	A6	A7	A8	A9	A10	A11	A12
SIGNAL NAME	GND			Vbus	CCI	D+	D-	SBU1	Vbus			GND
PIN No.	B12	B11	B10	B9	B8	B7	B6	B5	B4	B3	B2	B1
SIGNAL NAME	GND			Vbus	SUBZ	D-	D+	CC2	Vbus			GND

NO.	DESCRIPTION	MATERIAL	REMARKS	QTY
5	MID PLATE	STAINLESS STEEL T=0.15		1
4	SHELL	STAINLESS STEEL T=0.3	Nickel Plating Overall	1
3	TERMINAL 2	COPPER ALLOY T=0.15	Under Plating: Ni; Contact Plating: Au	8
2	TERMINAL 1	COPPER ALLOY T=0.15	Soldering Plating: Au; Under Plating: Ni; Contact Plating: Au	8
1	HOUSING	HIGH TEMP UL94V-0	Under Plating: Ni; Contact Plating: Au; Soldering Plating: Au	1

ZONE	ECN. NO.	DESCRIPTION	DRAWING	DATE
A		INITIAL	林生材	2020.02.18

- NOTES:
- MECHANICAL PERFORMANCE,
    - 1-1. INSERTION FORCE : 5N~20N.
    - 1-2. UNMATING FORCE: 8N~20N.
    - 1-3. DURABILITY: 10000 CYCLES.
  - ELECTRICAL PERFORMANCE,
    - 2-1. CURRENT RATING: 5.0A MAX
    - 2-2. LLGR: VBUS & GND PINS AND OTHER PINS: 40mΩ/PIN MAX. SHIELD: 50mΩ/MAX.
    - 2-3. INSULATION RESISTANCE: 100MΩ MIN
    - 2-4. DIELECTRIC WITHSTAND VOLTAGE: AC 100V FOR 1 MINUTE.
  - ENVIRONMENTAL PERFORMANCE:
    - OPERATING TEMPERATURE: -25°C~+85°C.
    - 10.22

**LZG** INDUSTRIAL CO., LTD

PART NAME: USB TYPE C 16PIN  
 TOLERANCE UNLESS 0.0±0.20  
 PART NO.: ZB48038-16SBAP-A  
 OTHERWISE SPECIFIED: 0.000±0.005

DRAWING: 林生材  
 CHECK: 李宏鑫  
 DATE: 2020.02.18  
 SCALE: 1:1  
 DRAWING NO.: ZB48038-16SBAP-A  
 SHEET: 1/1