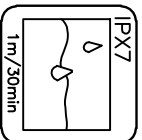
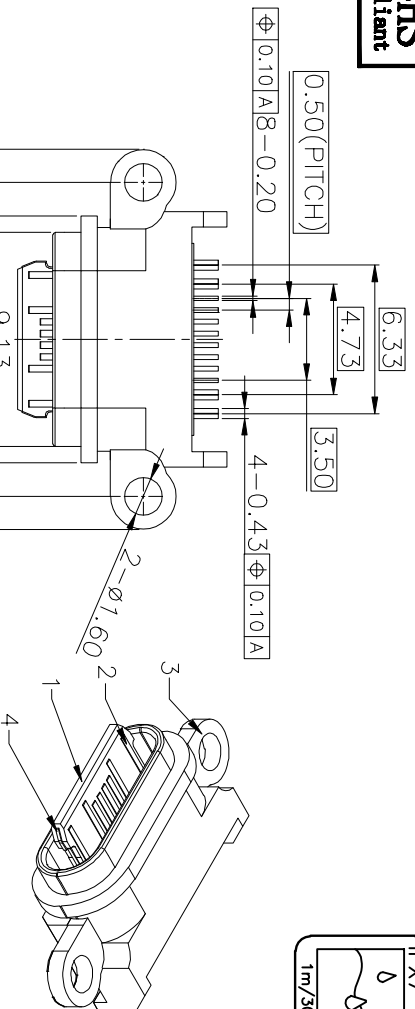


RoHS
Compliant

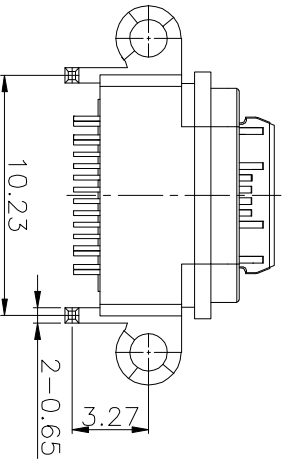
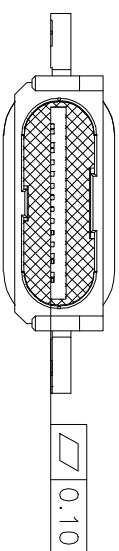
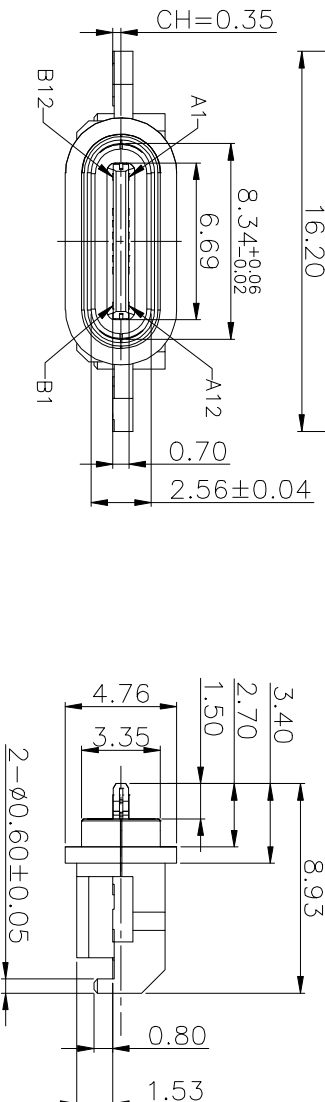


ZONE	E.C.N. NO.	DESCRIPTION	DRAWING	DATE
A		INITIAL	林生财	2020.02.18

- SPECIFICATIONS:
- CURRENT RATING: 3.0A MAX
 - DIELECTRIC WITHSTAND VOLTAGE: 100VAC
 - TEMPERATURE RANGE: -30 °C ~ 85 °C
 - CONTACT RESISTANCE: 40 MILLIONHM MAX
 - INSULATION RESISTANCE: 100 MEGOHMS MIN.
 - INSERTION FORCE : 5N~20N
 - UNMATING FORCE: 8N~20N
 - DURABILITY:10,000 CYCLES



3D VIEW



NO.	DESCRIPTION	MATERIAL	REMARKS	QTY
5	WATERPROOF RING	SILICA GEL	COLOR BLACK	1
4	Medium iron sheet	SUS304 1/2H		1
3	OUTER SHELL	ZINC ALLOY	NI PLATING	1
2	CONTACT	C7025;	Au3u"PLATING T=0.15mm	16
1	HOUSING	PA10T	COLOR BLACK	1

LZG INDUSTRIAL CO. LTD

PART NAME WATERPROOF TYPE C 16PIN
PART NO. ZB48026-16SBAP-A

TOLERANCE UNLESS OTHERWISE SPECIFIED: 0.00±0.3
0.00±0.1
0.00±0.05

0.±2
0.0±1
0.00±0.5



UNIT: mm
DRAWING NO.

APPROVAL: 林生财
DATE: 2020.02.18

CHECK: 李宏鑫
DATE: 2020.02.18
DRAWING NO. ZB48026-16SBAP-A
SHEET 1/2

SCALE 1:1

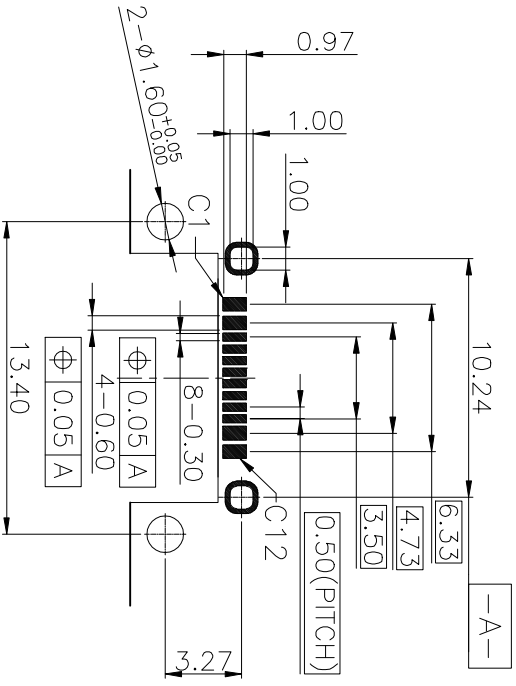
MATERIAL

DWG. NO.

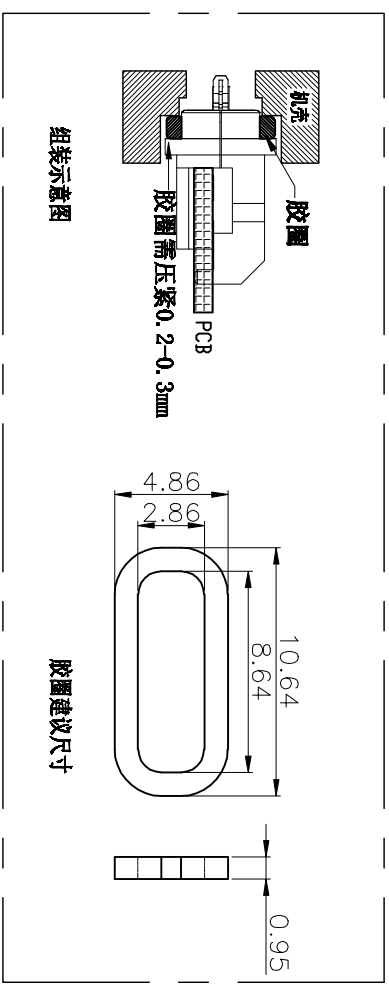
REMARKS

QTY

ZONE	E C N . N O .	DESCRIPTION	DRAWING	DATE
A		INITIAL	林生财	2020.02.18



RECOMMENDED PCB LAYOUT(TOP VIEW)
THICKNESS T=0.8mm
DEFAULT TOLERANCE+/-0.05



INTERFACE(FRONT VIEW)

A1	A2	A3	A4	A5	A6	A7	A8	A9	A10	A11	A12
GND	VBUS	CC1	DP1	DP1	DP1	DP1	SBU1	VBUS			GND
GND	VBUS	SBU2	DN2	DN2	DP2	DP2	CC2	VBUS			GND
B12	B11	B10	B9	B8	B7	B6	B5	B4	B3	B2	B1

PIN ASSIGNMENT

PIN NO.	A1&B12	A4&B9	B8	A5	B7	A6	A7	B6	A8	B5	A9&B4	A12&B1
SINGAL NAME	GND	VBUS	SBU2	CC1	DN2	DP1	DN1	DP2	SBU1	CC2	VBUS	GND
PCB PAD NO.	C1	C2	C3	C4	C5	C6	C7	C8	C9	C10	C11	C12

结构设计注意:
成品使用时, 如有洗面奶泡沫、牙膏、洗手液、脏污液体, 请在TYPE-C口外面再设计一层外壳, 保护TYPE-C表面金手指不会被脏污覆盖。

LZG INDUSTRIAL CO., LTD

PART NAME	WATERPROFF TYPE C 16PIN	TOLERANCE UNLESS	0.0±0.3	0.1±0.2	UNIT:	mm	DRAWING NO.	ZB48026-16SBAP-A	SHEET	2/2
PART NO.	ZB48026-16SBAP-A	OTHERWISE SPECIFIED:	0.000±0.1	0.00±0.5						

F E D C B A