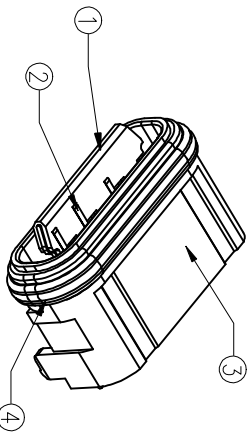
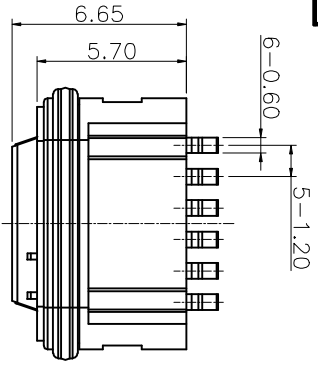
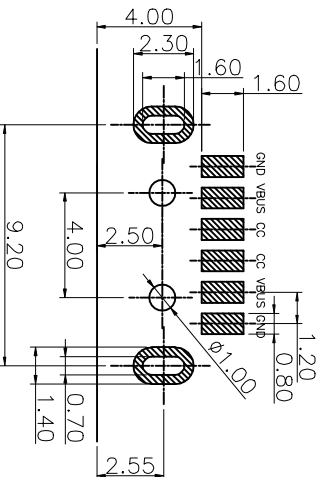
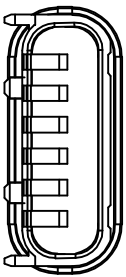
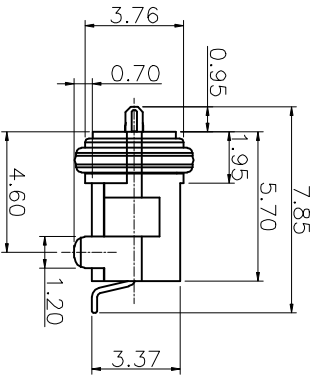
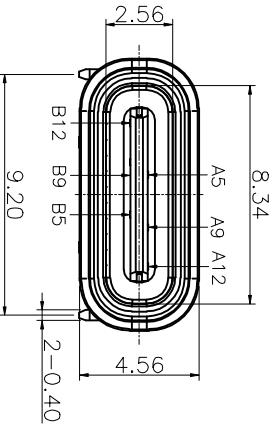


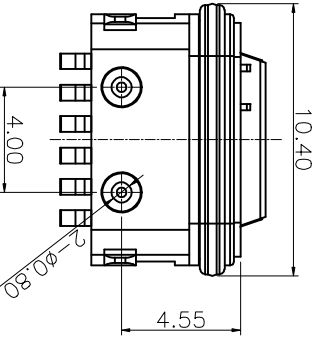
ROHS  
Compliant



3D VIEW



RECOMMENDED P.C.B. LAYOUT  
TOP VIEW (TOLERANCE:±0.05)



**结构设计注意:**  
成品使用时, 如有表面泡沫、牙膏、洗手液、脏污液体, 请在TYPE-C口外面再设计一层外壳, 保护TYPE-C表面金手指不会被脏污覆盖。

|     |             |     |             |
|-----|-------------|-----|-------------|
| A5  | CC1         | B12 | GND         |
| A9  | VBUS        | B9  | VBUS        |
| A12 | GND         | B5  | CC2         |
| PIN | SIGNAL NAME | PIN | SIGNAL NAME |

| NO. | DESCRIPTION     | MATERIAL        | REMARKS                | QTY |
|-----|-----------------|-----------------|------------------------|-----|
| 4   | WATERPROOF RING | SILICA GEL      |                        | 1   |
| 3   | SHELL           | ZINC ALLOY      |                        | 1   |
| 2   | CONTACT         | PHOSPHOR BRONZE | Au/Ni PLATING T=0.20mm | 6   |
| 1   | HOUSING 1       | PA10T           | COLOR BLACK            | 1   |

**LZG INDUSTRIAL CO., LTD**

PART NAME WATERPROOF TYPE C 6PIN  
PART NO. ZB48022-06SBAP-A

TOLERANCE UNLESS OTHERWISE SPECIFIED: 0.00±0.05

0.0±0.3  
0.00±0.1  
0.00±0.05

0.±2  
0.0±1  
0.00±0.5

UNIT: mm

APPROVAL: 杨进宝

DATE: 2020.02.18

DWG. NO. ZB48022-06SBAP-A

SHEET 1/2

| ZONE | ECN. NO. | DESCRIPTION | DRAWING | DATE       |
|------|----------|-------------|---------|------------|
| A    |          | INITIAL     | 林生材     | 2020.02.18 |

SPECIFICATIONS:

- ELECTRICAL CHARACTERISTICS:
  - RATING: 3A;
  - CONTACT RESISTANCE: 30 mΩ MAX.(INITIAL);
  - DIELECTRIC WITHSTANDING: 100V AC MIN.;
  - INSULATION RESISTANCE: 100MΩ MIN.;
  - DURABILITY: 5,000 CYCLES MIN.;
  - INSERTION FORCE: 5-20N;
  - EXTRACTION FORCE: 8-20N;
  - WATER PROOFNESS: THIS PRODUCT IS BASED ON IPX7.
  - PLUG INTERFACE DIMENSIONS CONFORM TO USB2.0 SPEC.
  - PACKAGING: TAPE & REEL.

CHECK: 李荣鑫

DATE: 2020.02.18

MATERIAL

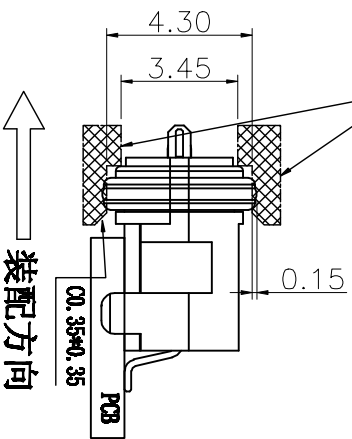
SCALE 1:1

REMARKS \*

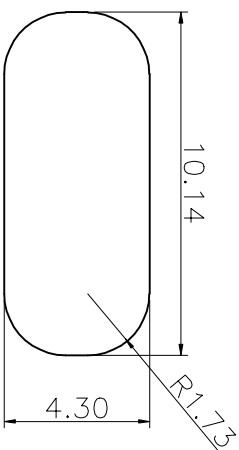
RoHS  
Compliant

| C    |          | B           |         | A          |  |
|------|----------|-------------|---------|------------|--|
| ZONE | E.C.N.O. | DESCRIPTION | DRAWING | DATE       |  |
| A    |          | INITIAL     | 林生财     | 2020.02.18 |  |

机壳与胶圈干涉建议单边0.15最小，胶圈尺寸跑上限。

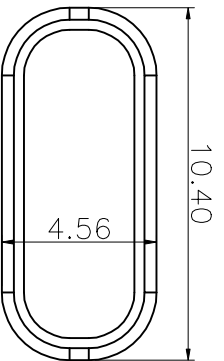


装配示意图

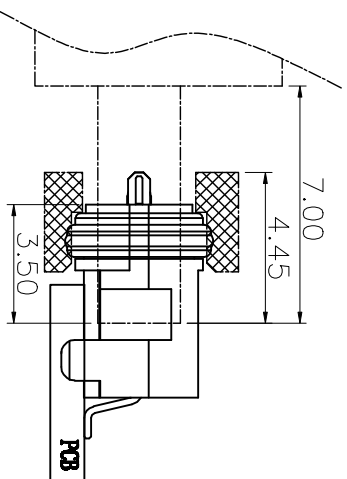


开孔尺寸参考

组装外壳时需要打环保润滑油



胶圈使用尺寸参考图



plug插入深度参考图

**LZG**

LZG INDUSTRIAL CO., LTD

| PART NAME                 |  | TOLERANCE UNLESS     |  | 0.0±0.3    |  | 0.0±0.1 |  | 0.0±0.5  |  | UNIT: |  | DRAWING:                     |  | SCALE    |  |
|---------------------------|--|----------------------|--|------------|--|---------|--|----------|--|-------|--|------------------------------|--|----------|--|
| WATERPROOF TYPE C 6PIN    |  | OTHERWISE SPECIFIED: |  | 0.000±0.05 |  | 0.0±0.1 |  | 0.00±0.5 |  | mm    |  | CHECK:                       |  | 1:1      |  |
| PART NO. ZB48022-06SBAP-A |  |                      |  |            |  |         |  |          |  |       |  | APPROVAL:                    |  | MATERIAL |  |
|                           |  |                      |  |            |  |         |  |          |  |       |  | DRAWING NO. ZB48022-06SBAP-A |  | DWG. NO. |  |
|                           |  |                      |  |            |  |         |  |          |  |       |  | DATE: 2020.02.18             |  | SHEET    |  |
|                           |  |                      |  |            |  |         |  |          |  |       |  | DATE: 2020.02.18             |  | 2/2      |  |

F

E

D

C

B

A

4

3

2

1

4

3

2

1