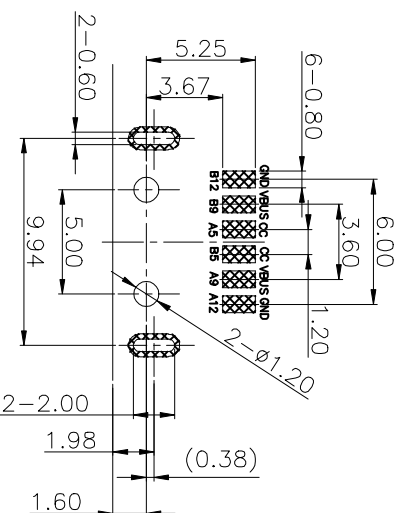
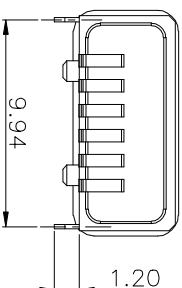
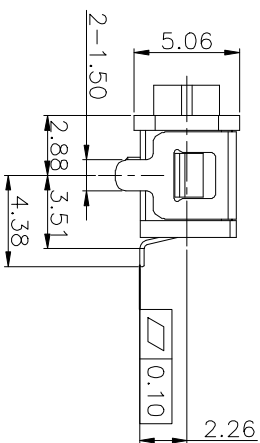
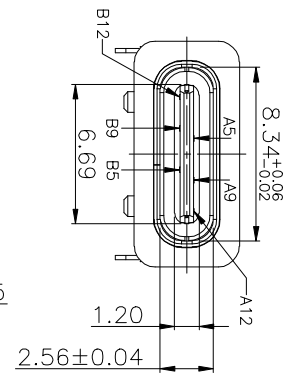
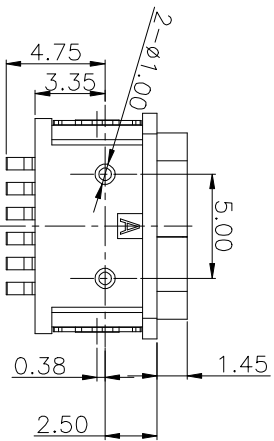


3D VIEW



RECOMMENDED P.C.B. LAYOUT
TOP VIEW (TOLERANCE:±0.05)



结构设计注意:
成品使用时, 如有洗面泡沫、牙膏、洗手液、脏污液体, 请在TYPE-C口外面再设计一层外壳, 保护TYPE-C表面金手指不会被脏污覆盖。

A5	CC1	B12	GND
A9	VBUS	B9	VBUS
A12	GND	B5	CC2
PIN	SIGNAL NAME	PIN	SIGNAL NAME

NO.	DESCRIPTION	MATERIAL	REMARKS	QTY
6	WATERPROOF RING	SILICA GEL	COLOR BLACK	1
5	SHELL 2	SUS304	Ni PLATING T=0.20mm	1
4	SHELL 1	SUS304	Ni PLATING T=0.30mm	1
3	HOUSING 2	PA10T	COLOR BLACK	1
2	CONTACT	PHOSPHOR BRONZE	Au/Ni PLATING T=0.2mm	6
1	HOUSING 1	PA10T	COLOR BLACK	1



LZG INDUSTRIAL CO., LTD

PART NAME WATERPROF TYPE C 6PIN
PART NO. ZB48021-06SBAP-A

TOLERANCE UNLESS OTHERWISE SPECIFIED:
0.0±0.3
0.00±0.1
0.00±0.05

0.±2°
0.0±1°
UNIT: mm

DRAWING NO. ZB48021-06SBAP-A

APPROVAL: 杨进宝
DATE: 2020.02.18

DWG. NO. SHEET 1/2

ZONE	E.C.N. NO.	DESCRIPTION	DRAWING	DATE
A	INITIAL		林生财	2020.02.18

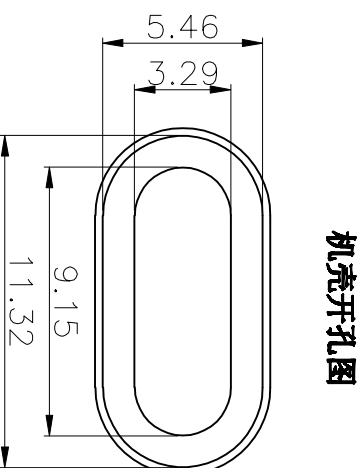
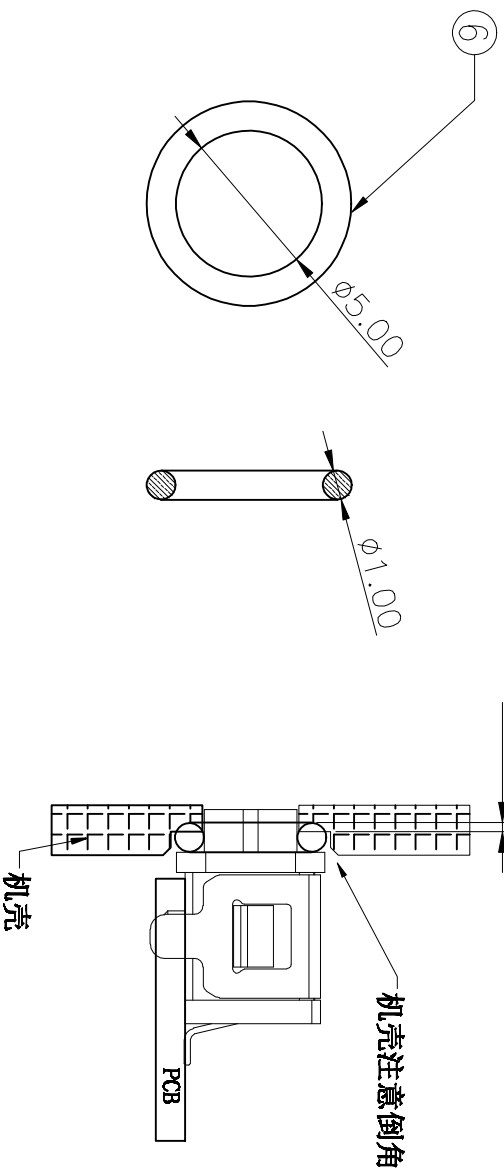


- SPECIFICATIONS:
- CURRENT RATING: 3.0A MAX
 - DIELECTRIC WITHSTAND VOLTAGE: 100VAC
 - TEMPERATURE RANGE: -30 °C ~ 85 °C
 - CONTACT RESISTANCE: 40 MILLIONHM MAX
 - INSULATION RESISTANCE: 100 MEGOHMS MIN.
 - INSERTION FORCE : 5N~20N
 - UNMATING FORCE: 8N~20N
 - DURABILITY:10,000 CYCLES
 - WATER PROOFNESS:THIS PRODUCT IS BASED ON IPX8.

ZONE		DESCRIPTION		DRAWING		DATE	
A	E C N. NO.	INITIAL		林生财		2020.02.18	

胶圈与机壳建议周边干涉量

0.30



机壳开孔图

注：防水圈是圆形截面，直径为1.0mm的硅胶圈，防水圈挤压力量，由1.0mm挤压到0.5mm ~ 0.6mm，防水效果好
还有一种方形1.5mm厚胶圈可选择



LZG INDUSTRIAL CO., LTD

PART NAME	WATERPROFF TYPE C 6PIN	TOLERANCE UNLESS	0.0±0.3	0.1±2°	UNIT:	mm	DRAWING:	林生财	DATE:	2020.02.18	SCALE	1:1
PART NO.	ZB48021-06SBAP-A	OTHERWISE SPECIFIED:	0.00±0.1	0.00'±1'			CHECK:	李森德	DATE:	2020.02.18	MATERIAL	*
			0.000±0.05	0.00'±0.5'			APPROVAL:	林生财	DATE:	2020.02.18	DWG. NO.	
							DRAWING NO.	ZB48021-06SBAP-A			SHEET	2/2