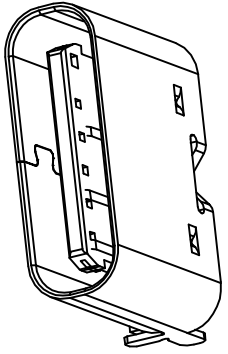
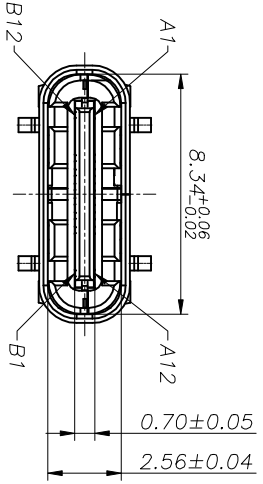
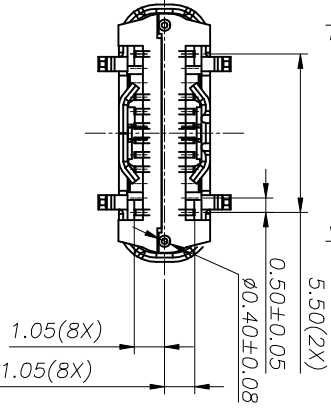
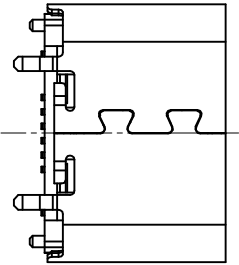
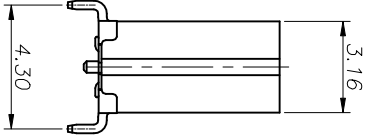
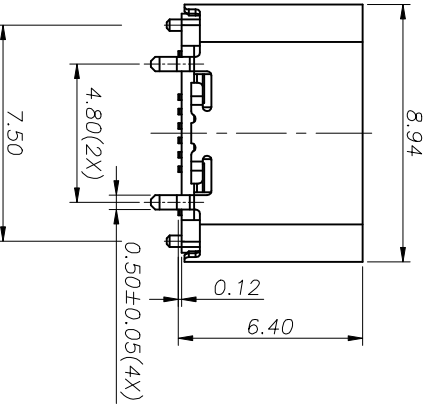


ROHS
Compliant

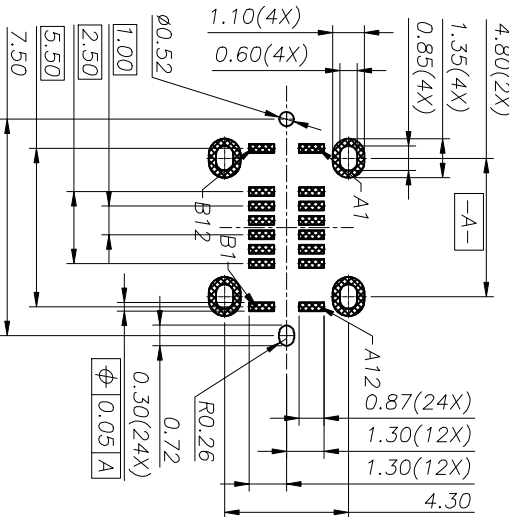


3D VIEW



| ZONE | ECN. NO. | DESCRIPTION | DRAWING | DATE |
|------|----------|-------------|---------|------------|
| A | | INITIAL | 林生财 | 2020.02.18 |

1. MECHANICAL PERFORMANCE:
 1-1. INSERTION FORCE: 0.5~2.0kgf.
 1-2. REMOVAL FORCE: 0.8kgf~2.0kgf.
 1-3. DURABILITY: 10000 CYCLES.
 2. ELECTRICAL PERFORMANCE:
 2-1. VOLTAGE RATING: 5 V DC/AC (RMS, max)
 CURRENT RATING: 5 AMPS. FOR TOTAL VBUS/GND PINS;
 1.25AMPS FOR CC PIN; 0.25 AMPS. FOR ALL OTHER CONTACT.
 2-2. I.LOR:
 VBUS & GND PINS AND OTHER PINS: 40mA/Q/PIN MAX.
 SHIELD: 50mA/MAX.
 I.LOR MAX. CHANGE OF ALL PINS: 10mΩ.
 2-3. INSULATION RESISTANCE: 100MΩ. MIN.
 2-4. DIELECTRIC WITHSTAND VOLTAGE: AC 100V FOR 1 MINUTE.
 3. ENVIRONMENTAL PERFORMANCE:
 OPERATING TEMPERATURE: -25°C~+85°C.
 4. AIR REFLOW:
 THE PEAK TEMPERATURE ON THE BOARD SHALL
 BE MAINTAINED FOR 10 SECONDS AT 260°C.



RECOMMENDED PCB LAYOUT(TOP VIEW)
 THICKNESS 0.8±0.10MM; DEFAULT TOLERANCE: ±0.05

| NO. | DESCRIPTION | MATERIAL | REMARKS | QTY |
|-----|-------------|-----------------|---|-----|
| 4 | FRONT SHELL | STAINLESS STEEL | MIN 50U" MIN. UNDER PLATED OVER ALL. | 1 |
| 3 | MID PLATE | STAINLESS STEEL | CLEAN | 1 |
| 2 | TERMINAL | COPPER ALLOY | MIN 50U" MIN. UNDER PLATED OVER ALL; PAIRED ON THE FUNCTIONAL AREA OF CONTACT; (GOLD PLATING THICKNESS FOLLOW THE P/N) PLATING SPECIFICATIONS OF THE SOLDER AREA FOLLOW THE P/N | 16 |
| 1 | HOUSING | LCP 94V-0 | COLOR BLACK or WHITE or NATURE | 1 |

LZG INDUSTRIAL CO. LTD

PART NAME: TYPE C 16 PIN
 PART NO.: ZB48011-16SBAP-A

TOLERANCE UNLESS OTHERWISE SPECIFIED: 0.00±0.1

0.0±0.3
0.00±0.2

0.±2'
0.07±1'

UNIT: mm

DRAWING: CHECK: APPROVAL: DRAWING NO.

DATE: 2020.02.18

DATE: 2020.02.18

DATE: 2020.02.18

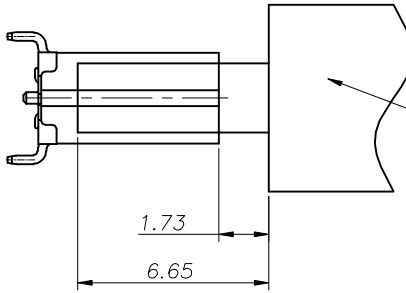
DATE: 2020.02.18

DATE: 2020.02.18

F E D C B A

RoHS
Compliant

USB TYPE C PLUG

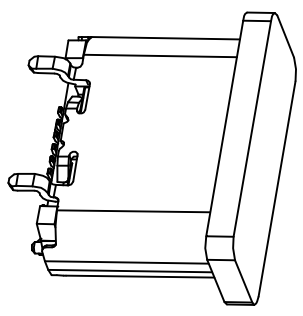
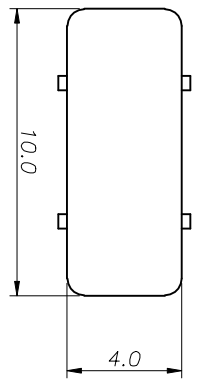


FEMALE AND MALE MATCHING DRAWING.

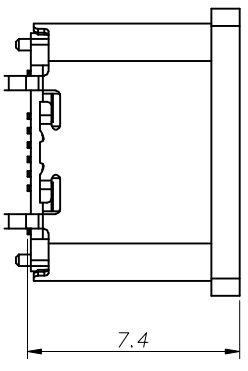
USB TYPE-C PIN ASSIGNMENTS

| PIN NUMBER | SIGNAL NAME | PIN NUMBER | SIGNAL NAME |
|------------|-------------|------------|-------------|
| A1 | GND | B12 | GND |
| A4 | VBUS | B9 | VBUS |
| A5 | CC1 | B8 | SBU2 |
| A6 | Dp1 | B7 | Dn2 |
| A7 | Dn1 | B6 | Dp2 |
| A8 | SBU1 | B5 | CC2 |
| A9 | VBUS | B4 | VBUS |
| A12 | GND | B1 | GND |

| ZONE | ECN. NO. | DESCRIPTION | DRAWING | DATE |
|------|----------|-------------|---------|------------|
| A | | INITIAL | 林生材 | 2020.02.18 |



WITH COVER SCHEMATIC



LZG INDUSTRIAL CO. LTD

| | | | | | |
|-----------|------------------|----------------------|----------|-------|----|
| PART NAME | TYPE C 16 PIN | TOLERANCE UNLESS | 0.0±0.3 | UNIT: | mm |
| PART NO. | ZB48011-16SBAP-A | OTHERWISE SPECIFIED: | 0.00±0.2 | | |

| | | | | | |
|-------------|------------------|-------|------------|----------|-----|
| DRAWING: | 林生材 | DATE: | 2020.02.18 | SCALE | 1:1 |
| CHECK: | 李廷權 | DATE: | 2020.02.18 | MATERIAL | * |
| APPROVAL: | 楊廷寶 | DATE: | 2020.02.18 | DWG. NO. | |
| DRAWING NO. | ZB48011-16SBAP-A | SHEET | | | 2/2 |