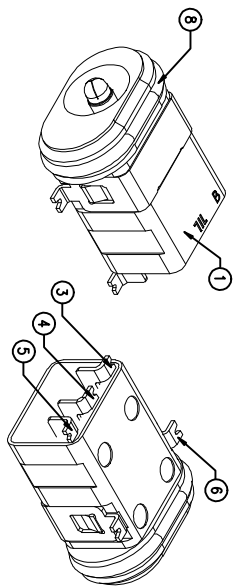


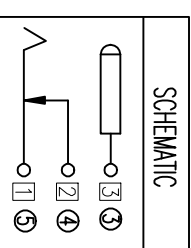
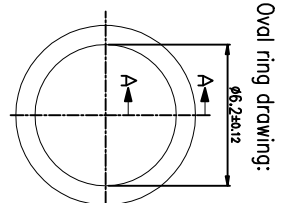
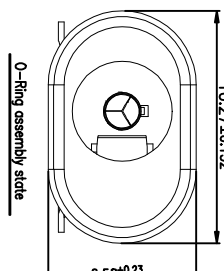
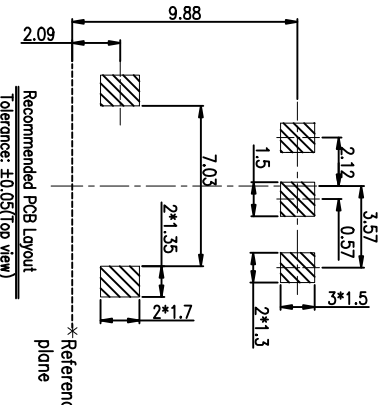
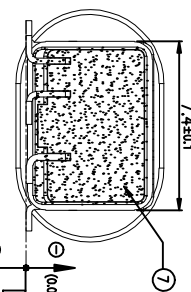
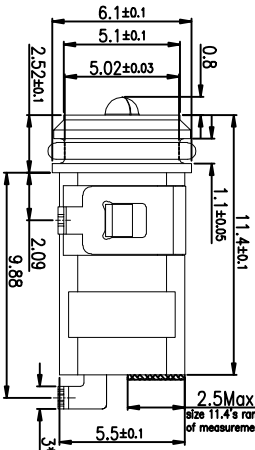
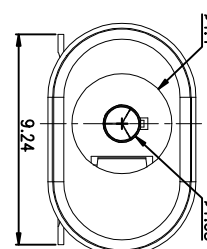
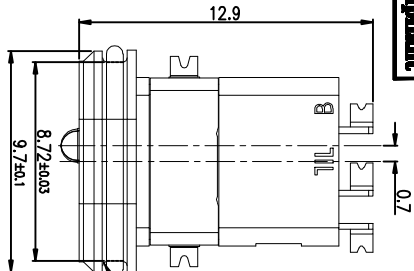
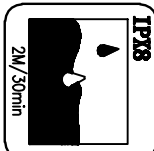
RoHS  
Compliant



3D VIEW

防水要求 0.02MM 以下  
全周密封 0.02MM 以下  
插针绝缘电阻 Ro0.2um 以下  
(直径按 Ro0.1um)

- NOTES
- ELECTRICAL CHARACTERISTICS:
    - RATING: 30V DC /1A
    - CONTACT RESISTANCE: 30m MAX(INITIAL)
    - DILECTRIC WITHSTANDING VOLTAGE: 300V AC FOR ONE MINUTE.
    - INSULATION RESISTANCE: 100M MIN. MEASURED BY 500 VDC
  - MECHANICAL CHARACTERISTICS:
    - INSERTION FORCE : 0.5kgf~2.5kgf
    - WITHDRAWAL FORCE : 0.5kgf~2.5kgf
  - DURABILITY: 5,000 CYCLES .
  - WATER PROOFNESS: THIS PRODUCT IS BASED ON IPX8(2M,30min)
  - PLUG INTERFACE DIMENSIONS CONFORM TO USB2.0 SPEC.
  - OVAL RING :
    - The amount of low molecular siloxanes(D3~D10)is less than 200ppm
    - Hardness of silicone rubber: 70°
  - FOR REFLOW SOLDERING LEAD-FREE PROCESS.
  - PACKAGING: TAPE & REEL.



注防水圈要求组装在产品上。  
Note: The waterproof ring shall be assembled on the product

NO.	DESCRIPTION	MATERIAL	REMARKS	QTY
1	HOUSING	LCP(E130) 94V-0	COLOR BLACK	1
2	CAP	LCP(E130) 94V-0	COLOR BLACK	1
3	CENTER PIN	C2690 T=0.3		1
4	SHNUT	C2690 T=0.25	Outer plating: Sn-plated(2um MIN)	1
5	TIP SPRING	T-Cu T=0.25	Outer plating: Sn-plated(2um MIN)	1
6	SHELL	C2690 T=0.25	Outer plating: Sn-plated(2um MIN)	1
7	BOND	---	---	1
8	O-RING	---	---	1

4

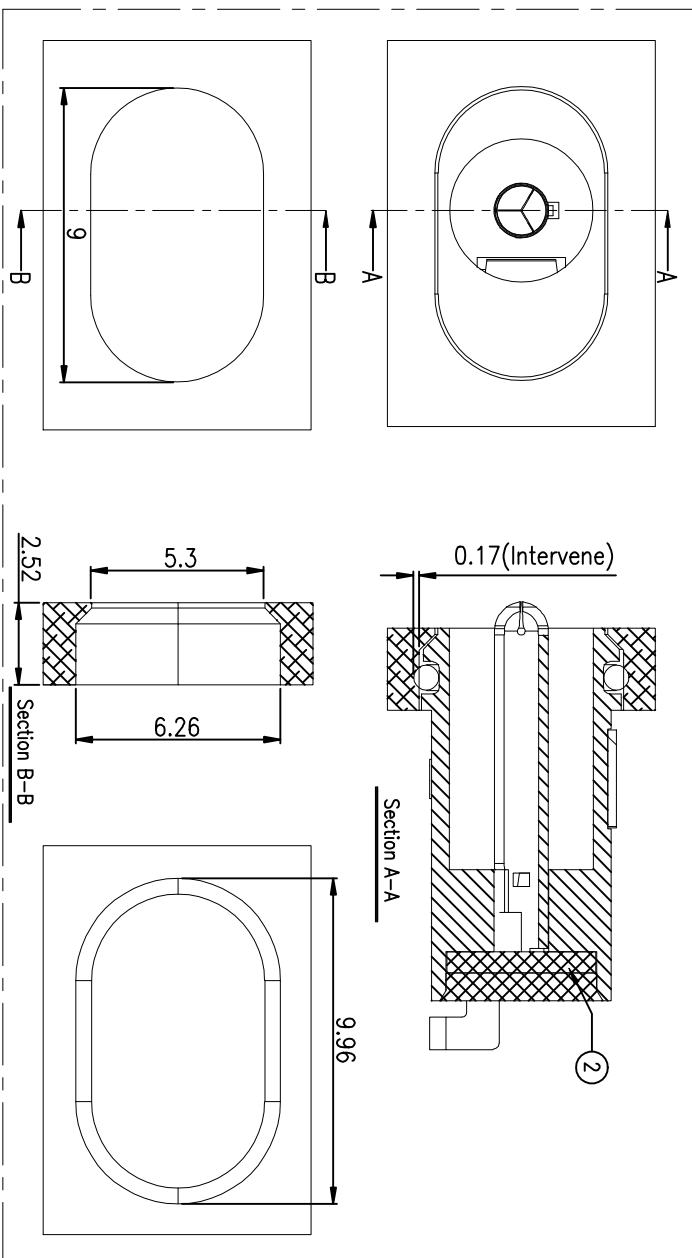
**LZG INDUSTRIAL CO., LTD**

PART NAME	WATERPROOF DC POWER JACK	TOLERANCE UNLESS OTHERWISE SPECIFIED:	0.0±0.38 0.00±0.30 0.000±0.10	UNIT:	mm	DRAWING NO.	ZB30003-05SBAP-A	SHEET	1/2
PART NO.	ZB30003-05SBAP-A								

**RoHS**  
Compliant

ZONE	EC.N.O.	DESCRIPTION	DRAWING	DATE
A		INITIAL	林生材	2020.02.18

CASE INTEGRATION CONDITION



LZG INDUSTRIAL CO., LTD

PART NAME WATERPROOF DC POWER JACK  
PART NO. ZB30003-05SBAP-A

TOLERANCE UNLESS OTHERWISE SPECIFIED:  
0.0±0.38  
0.00±0.30  
0.000±0.10

0.±2°  
0.0±1°  
UNIT: mm

DRAWING: CHECK: APPROVAL: DRAWING NO.

DATE: 2020.02.18  
DATE: 2020.02.18  
DATE: 2020.02.18  
ZB30003-05SBAP-A

SCALE: 1:1  
MATERIAL: \*  
DWG. NO.:

SHEET: 2/2